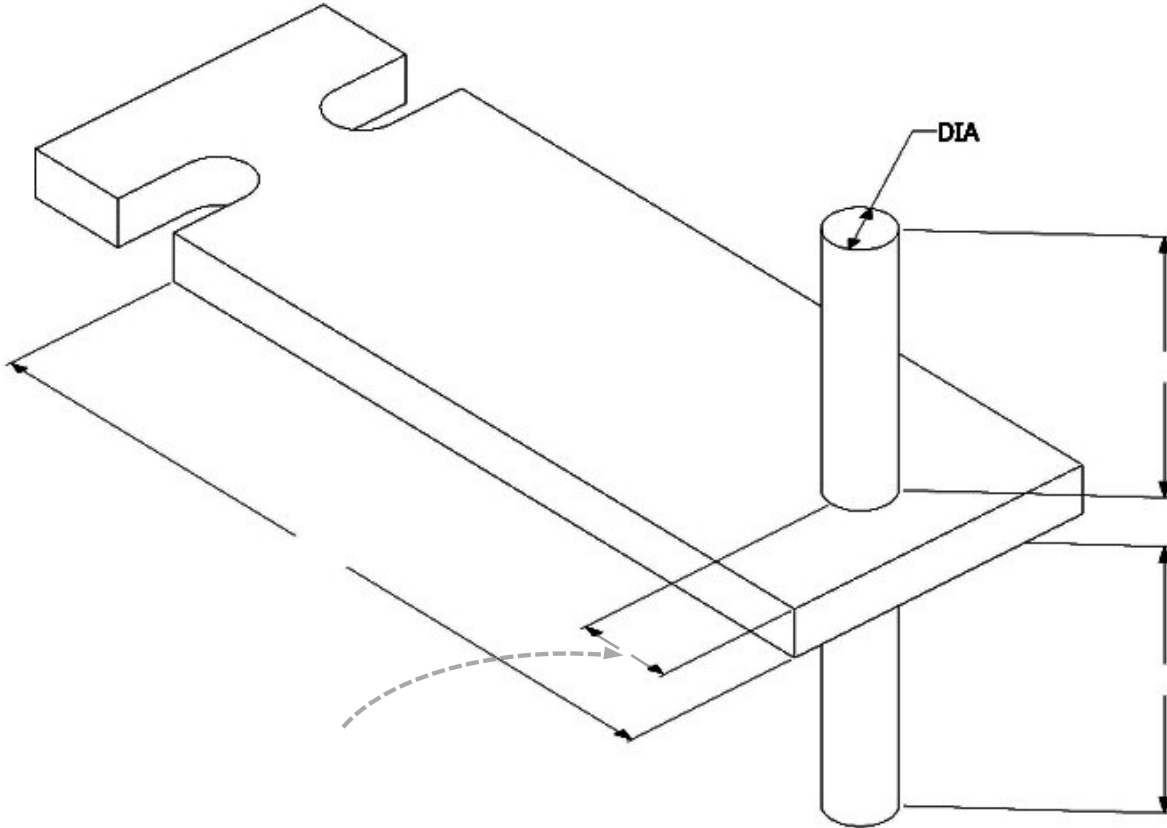


# STONE ANCHORS



## #1403 Channel Anchor with dowel



QUANTITY: \_\_\_\_\_

ST/ST Min. Fy = 45,000 p.s.i (ASTM A666)

**THICKNESS:**

- 12 gauge     1/4"  
 3/16"     Other \_\_\_\_\_

**FINISH:**

- Hot Dip Galv.  
 Stainless Steel Type 304

**Dowel:**

- Welded  
 Loose

**CONTACT INFORMATION:**

Name: \_\_\_\_\_  
Company: \_\_\_\_\_  
Phone: \_\_\_\_\_ Fax: \_\_\_\_\_  
E-mail: \_\_\_\_\_

**PROJECT INFORMATION:**

Name: \_\_\_\_\_  
Location: \_\_\_\_\_  
\_\_\_\_\_  
\_\_\_\_\_

